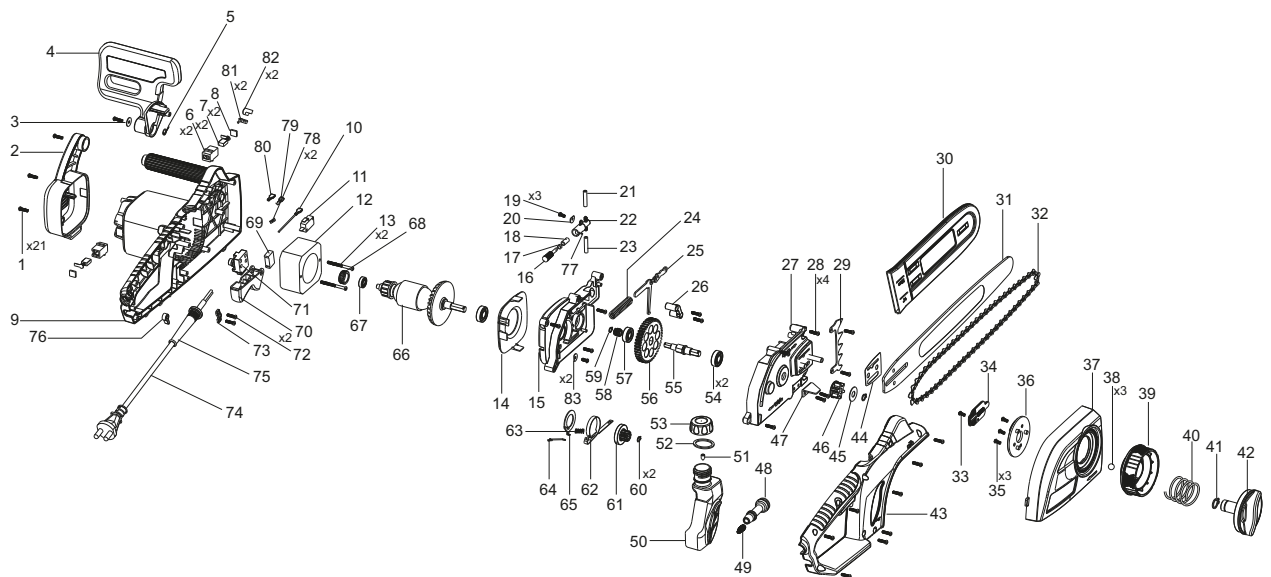


POS. No.	Ref.No.	Description	POS. No.	Ref.No.	Description
1	187739	SCREW	45	187785	SPACER
2	187740	REAR COVER	46	187786	SPROCKET
3	187741	SPACER	47	187787	CHAIN CATCH
4	187742	FRONT HAND GUARD	48	187788	ELASTOMER CONNECTOR
5	187743	SPRING	49	187789	FILTER SPRING
6	187744	CARBON BRUSH SEAT	50	187790	OIL TANK
7	187745	CARBON BRUSH	51	187791	SEALING CAP
8	187746	CARBON BRUSH COVER	52	187792	POT COVER GASKET
9	187747	HOUSING-LEFT	53	187794	OIL TANK CAP
10	187748	INSIDE WIRE	54	187795	BEARING
11	187749	MICROSWITCH(2.2W)	55	187796	OUTPUT AXIS
12	187751	STATOR(2KW/2.2KW)	56	187797	BIG GEAR
13	187753	SCREW ST4.2x60	57	187798	BEARING
14	187754	DEFLECTOR	58	187799	OIL PUMP WORM GEAR
15	187755	MOTOR BRACKET	59	187800	C CLIP
16	187756	OIL PUMP CRUCIBLE BAR	60	187801	C CLIP
17	187757	O- RING	61	187802	LITTLE GEAR
18	187758	OIL PUMP SET	62	187804	BRAKE BAND
19	187759	SCREW M4x14	63	187805	BRAKE SPRING
20	187760	SPACER	64	187806	BRACKET ARM
21	187761	OIL PIPE 1	65	187807	SNAP RING
22	187762	PUMP CASING	66	187809	ROTATOR 6117-100701/
23	187763	OIL PIPE 2	67	187810	BEARING
24	187764	BRAKE SPRING	68	187811	SHOCKPROOF SLEEVE
25	187765	BRAKE HINGE	69	187812	ELECTRIC CAPACITY
26	187766	BRAKE BLOCK	70	187813	TRIGGER
27	187767	CHAIN PLATE SEAT	71	187814	LOCK-OFF SWITCH
28	187768	SCREW ST4x25	72	187815	SCREW
29	187769	SPIKED BUMPER	73	187816	CLAMP
30	187770	BAR COVER 16"	74	187817	POWER CORD
31	187771	BAR 16"	75	187818	CORD GUARD
32	187772	CHAIN 16"	76	187819	CORD RETAINER
33	187773	SCREW M4x6	77	187830	RIVET
34	187774	CHAIN PLATE	78	187831	AMPHENOL CONNECTOR
35	187775	SPRING ST4x14	79	187832	TERMINAL
36	187776	SPIRAL PLATE	80	187833	TERMINAL SET
37	187777	PROTECTING COVER	81	187834	FLAG TYPE TERMINAL
38	187778	STEEL BALL	82	187835	FLAG TYPE TERMINAL
39	187779	ADJUSTING RING	83	187803	Spacer washer
40	187780	SPRING	100	187837	Oil pump
41	187782	C CLIP	101	187838	COVER OF THE OIL TANK
42	187781	KNOB	102	187839	OIL TANK
43	187783	HOUSING-RIGHT	103	187840	PORTECTIVE CASING
44	187784	SPACER			



187829

